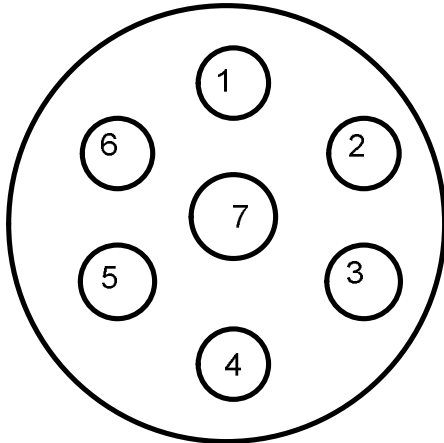


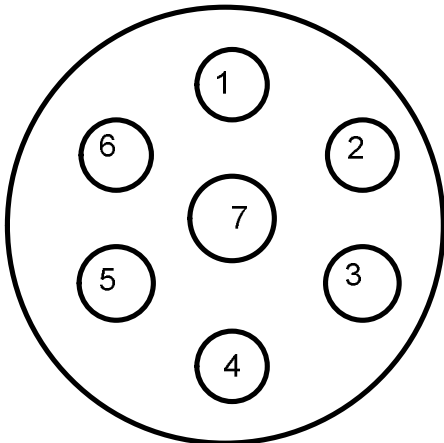
Wiring Connections for 12 Volt Trailer and Caravan Sockets

Trailer Wiring (12 N, Black Socket)



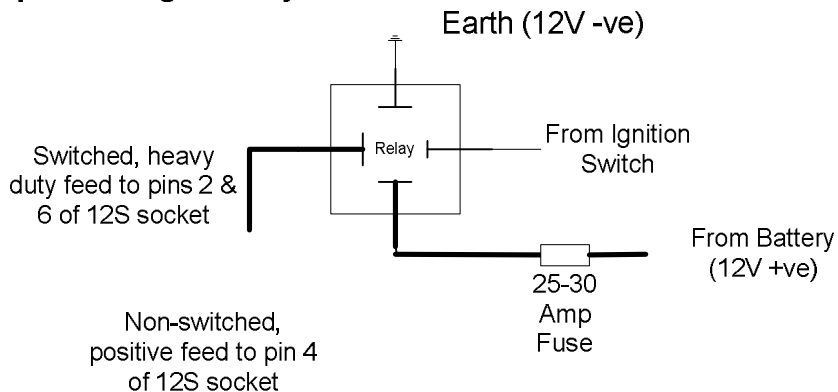
| Pin | Ref. | Colour | Function |
|-----|------|--------|---|
| 1 | L | Yellow | Nearside Indicator |
| 2 | 54G | Blue | Rear Fog Lamp |
| 3 | 31 | White | Earth (12v. -ve) |
| 4 | R | Green | Offside Indicator |
| 5 | 58R | Brown | Offside Tail Lamp |
| 6 | 54 | Red | Stop Lights |
| 7 | 58L | Black | Nearside Tail Lamp (Number Plate Lamp) |

Caravan Wiring (12S, Grey Socket)



| Pin | Colour | Function |
|-----|--------|----------------------|
| 1 | Yellow | Reversing Light |
| 2 | Blue | Caravan Battery |
| 3 | White | Earth (12v. -ve) |
| 4 | Green | 12 Volt Supply (+ve) |
| 5 | Brown | Not Allocated |
| 6 | Red | Refrigerator |
| 7 | Black | Not Allocated |

Split Charge Relay



The purpose of the split charge relay is to prevent the caravan from flattening the battery of the towing vehicle.

This device should only be installed by a competent person fully versed in auto-electrics.